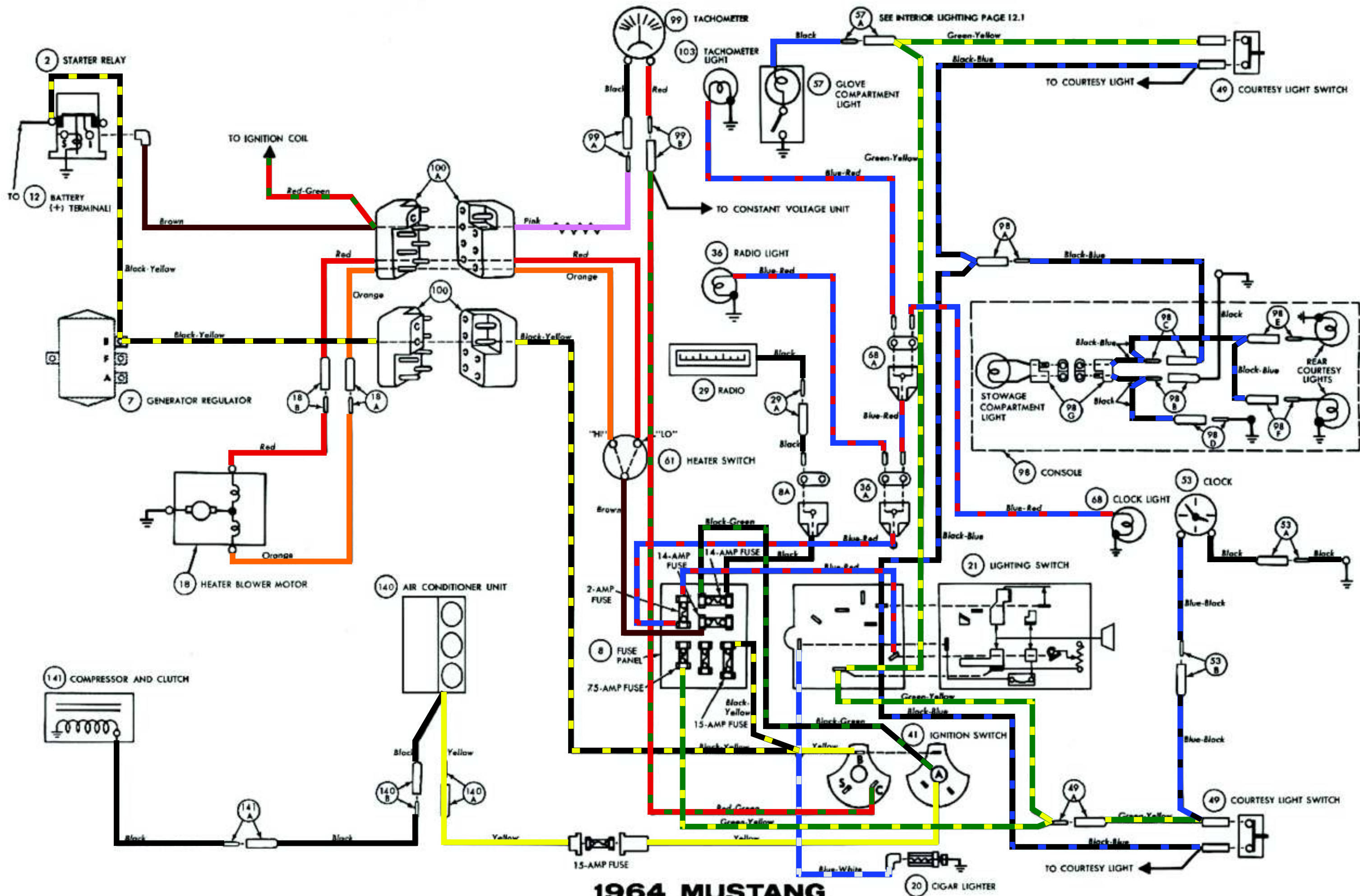


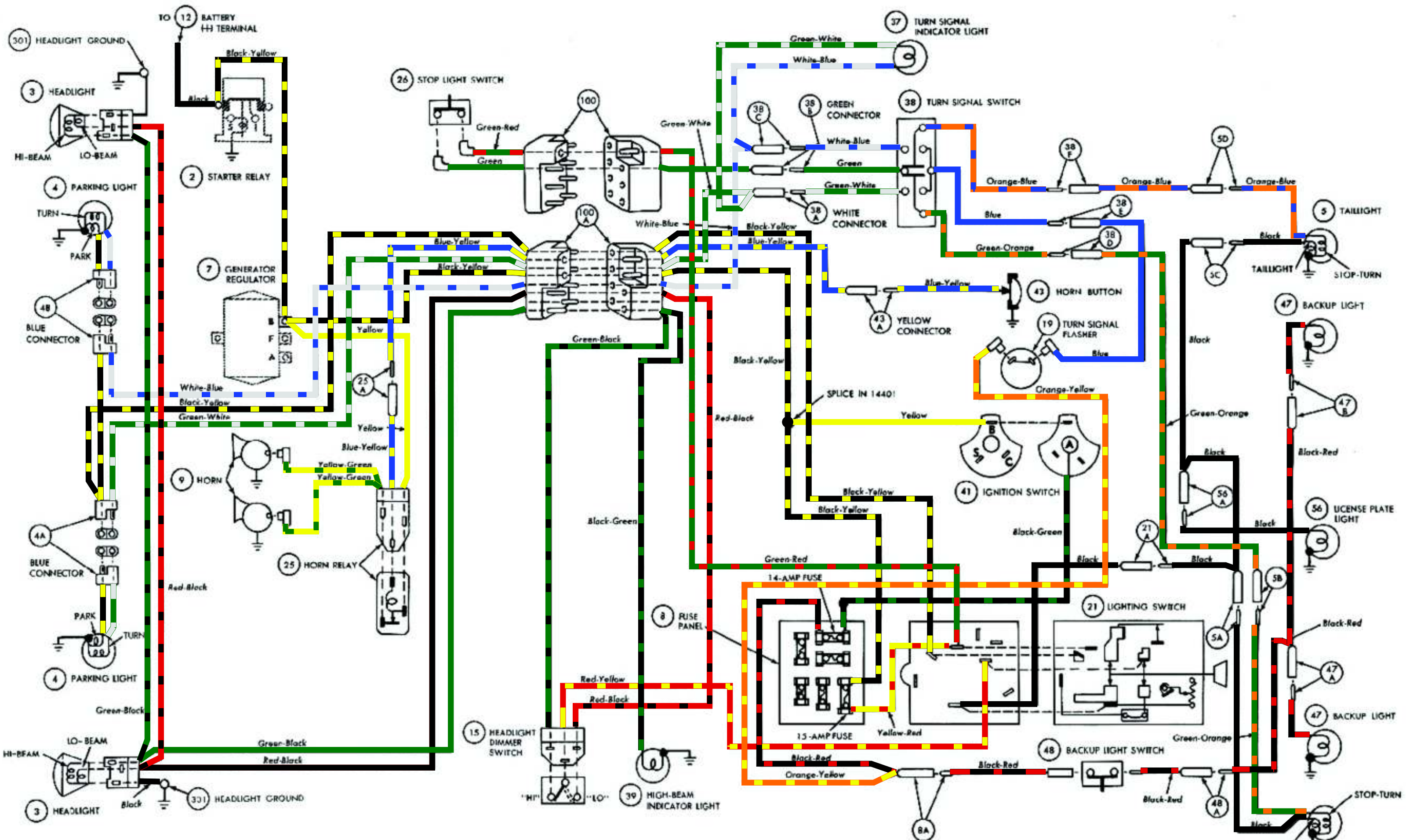
# 1964 MUSTANG CIRCUIT DIAGRAM

Report Errors or Omissions to gwflaw@gmail.com

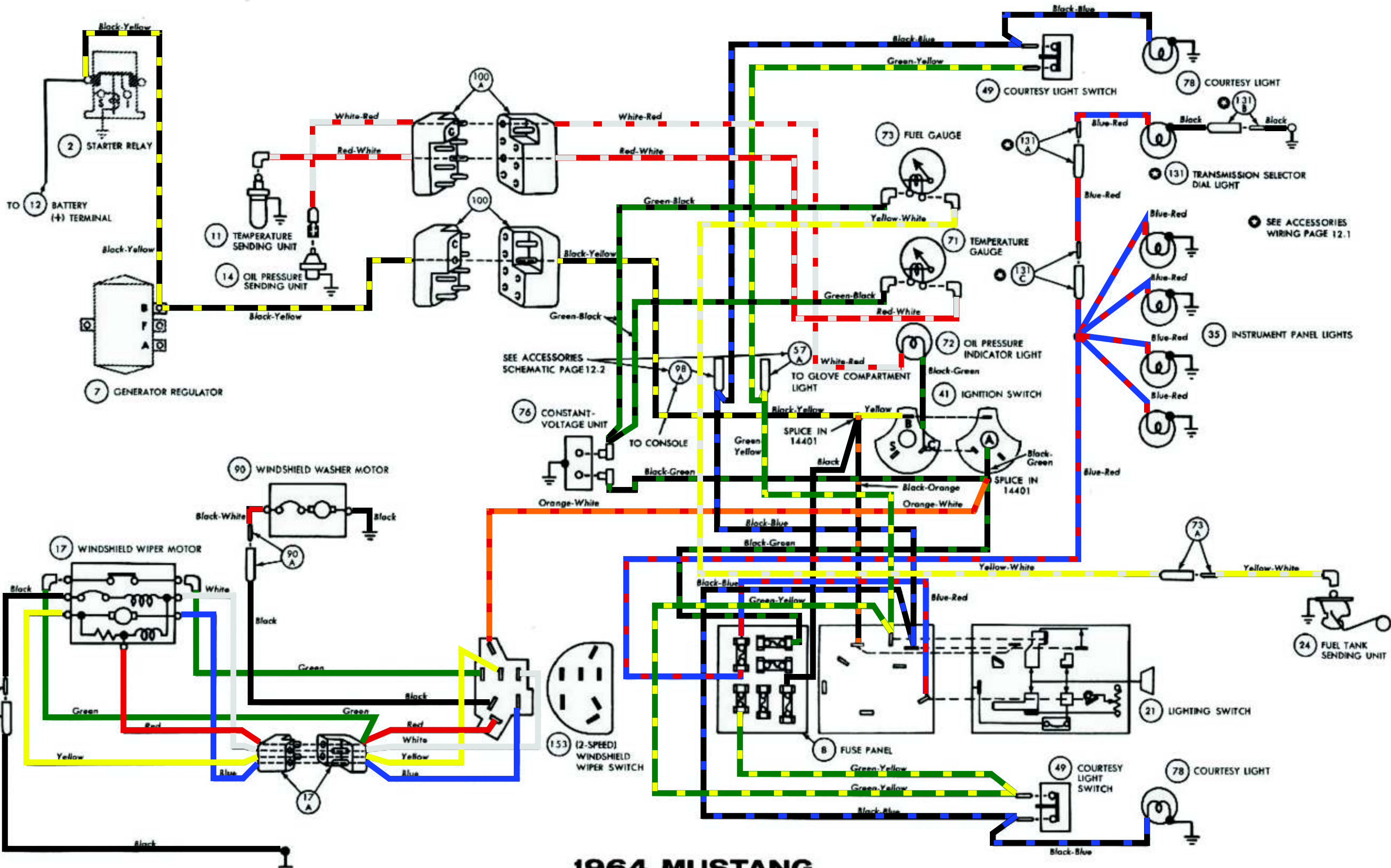
Colorization by:  
[www.clanmcmuffin.com/Mustang.html](http://www.clanmcmuffin.com/Mustang.html)  
 rev 02/07/2021



**1964 MUSTANG  
ACCESSORIES SCHEMATIC**



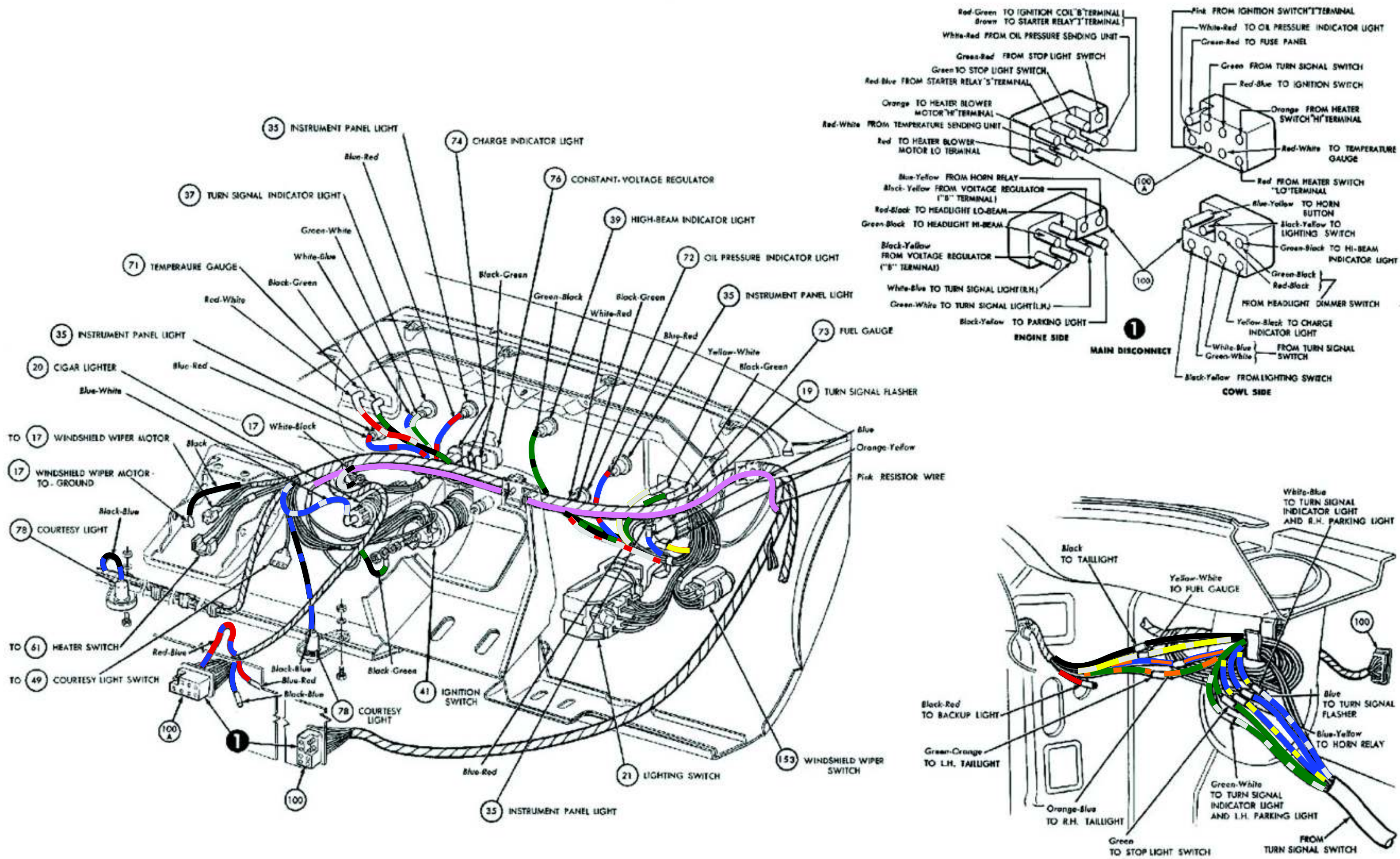
**1964 MUSTANG  
EXTERIOR LIGHTING, TURN SIGNALS AND HORN SCHEMATIC**



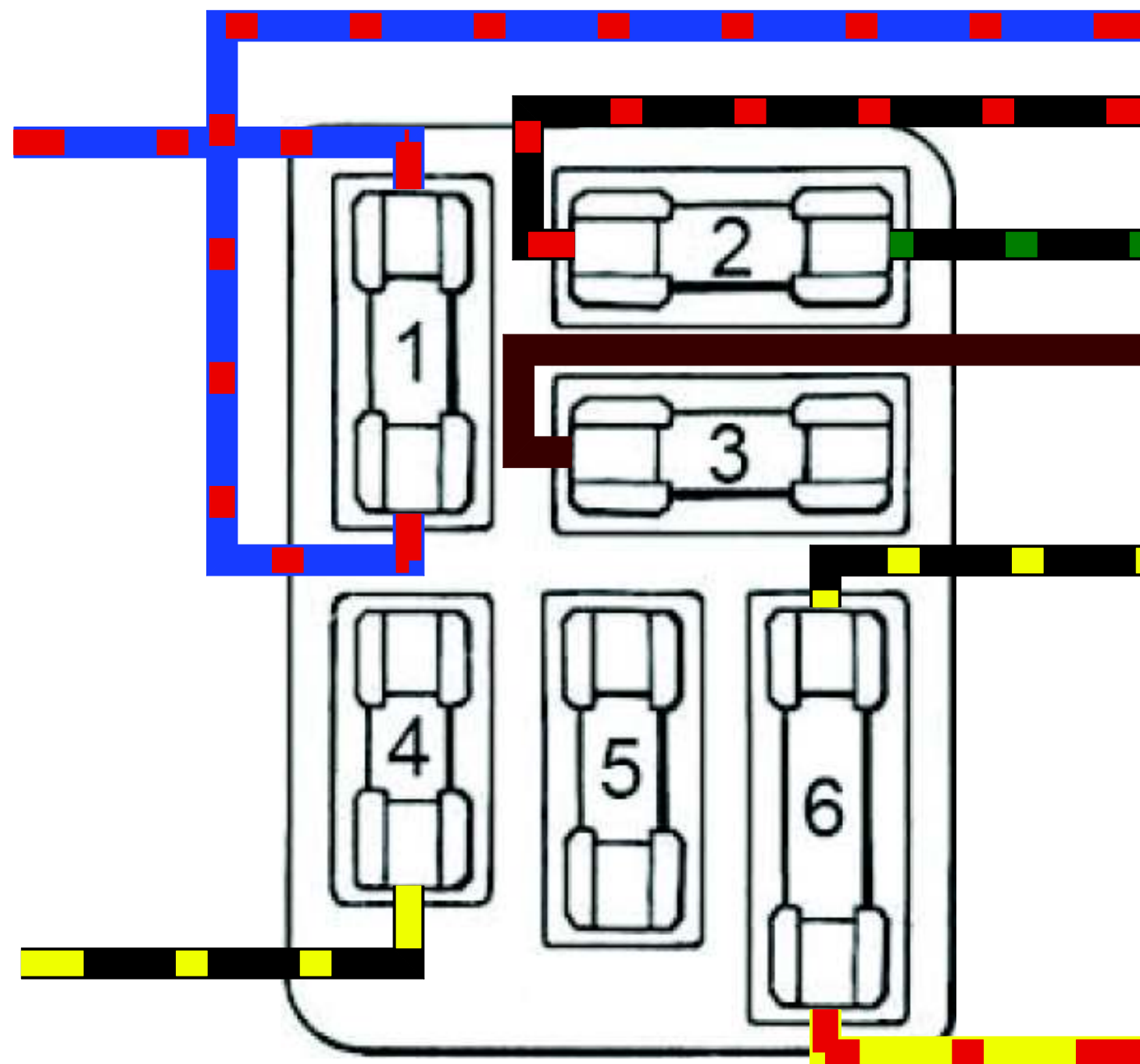
SEE ACCESSORIES WIRING PAGE 12.1

SEE ACCESSORIES SCHEMATIC PAGE 12.2

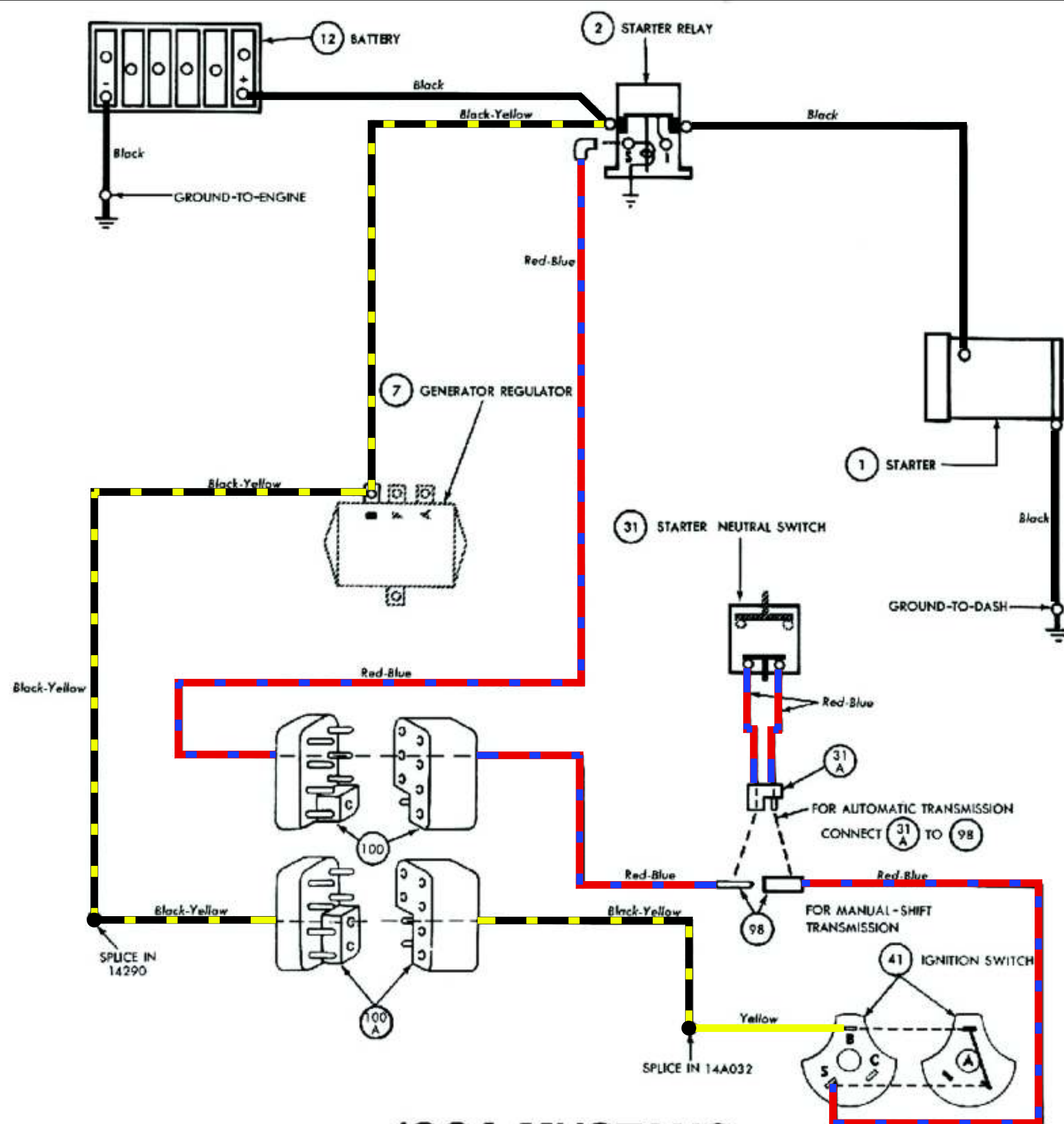
**1964 MUSTANG  
INTERIOR LIGHTING, WINDSHIELD WIPER AND GAUGE SCHEMATIC**



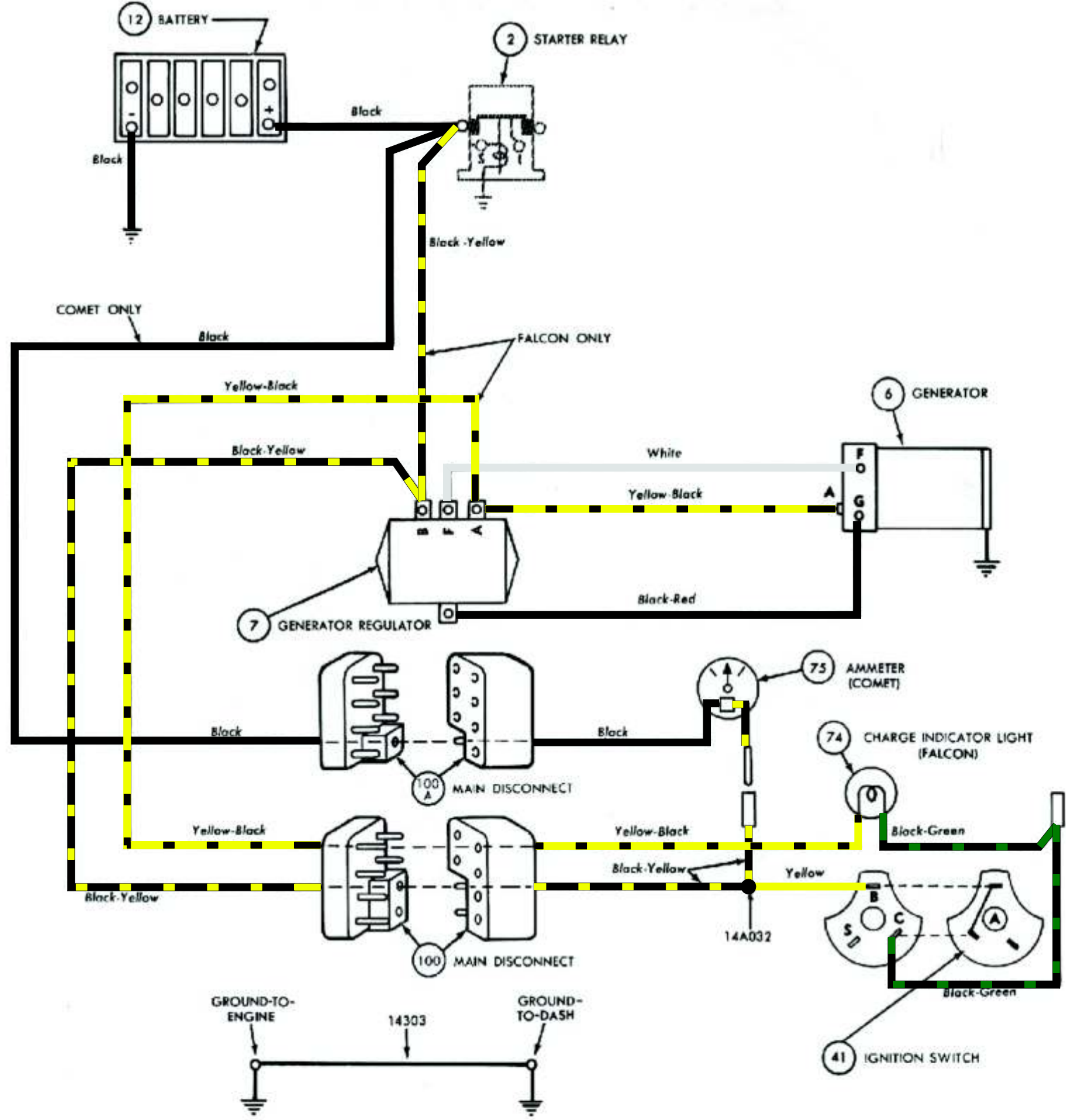
**1964 MUSTANG  
INSTRUMENT PANEL WIRING**



No.	A	Circuit(s) protected
1	2	Lighting Switch, Radio Light, Tachometer Light, Clock Light, Instrument Panel Lights, Transmission Selector Dial Light
2	14	Ignition Switch, Radio, Windshield Wiper Switch, Constant Voltage Unit, Backup Light Switch, Backup Light, License Plate Light
3		Heater Switch (Heater Blower Motor)
4	7.5	Courtesy Light Switch, Courtesy Light, Clock, Glove Compartment Light,
5	-	Not Used
6	15	Cigar Lighter, Ignition Switch, Generator Regulator, Lighting Switch, Starter Relay

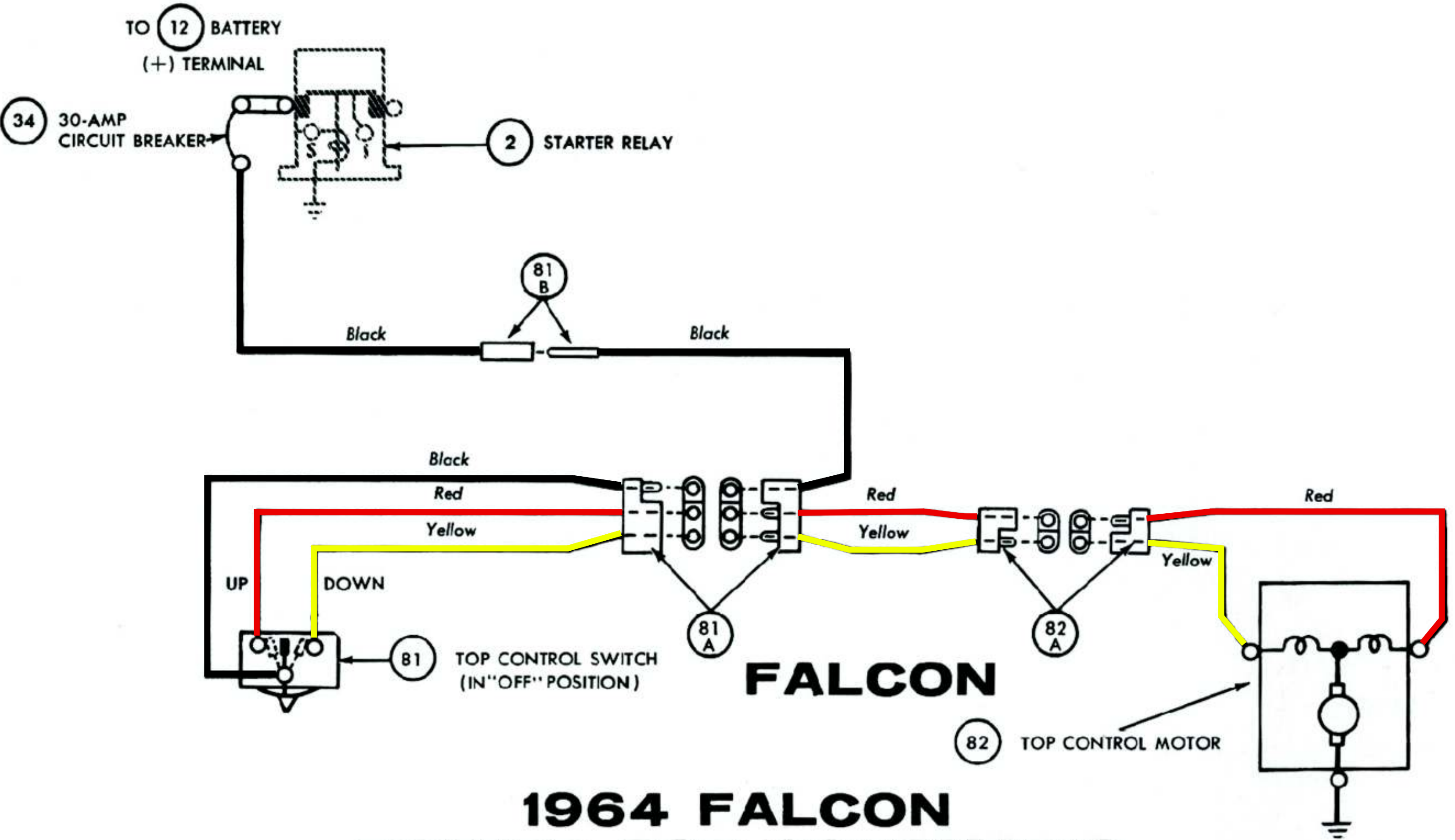


**1964 MUSTANG  
STARTER SCHEMATIC**



**1964 FALCON/COMET  
GENERATOR SCHEMATIC**





**1964 FALCON  
POWER TOP SCHEMATIC**