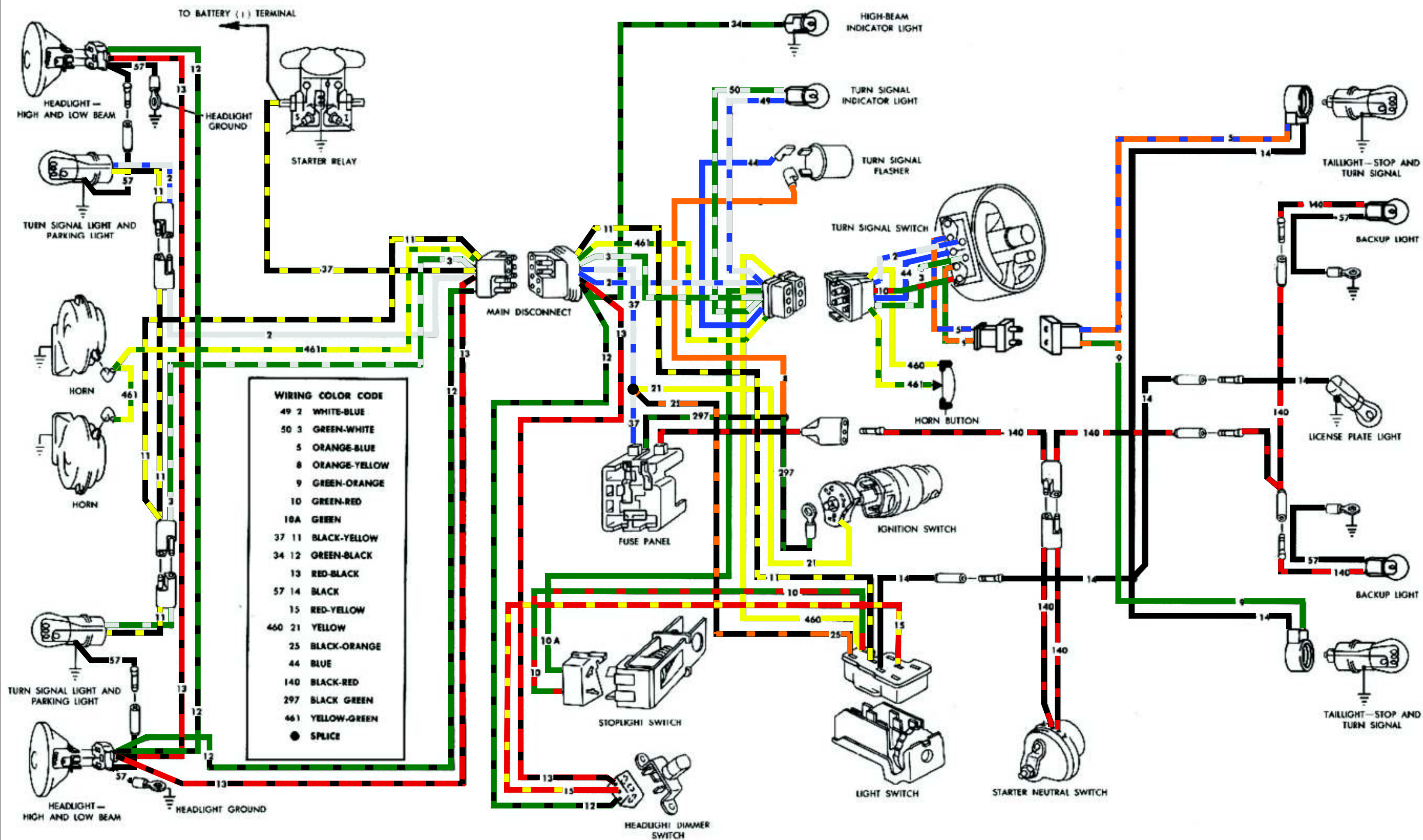


# 1965 MUSTANG CIRCUIT DIAGRAM

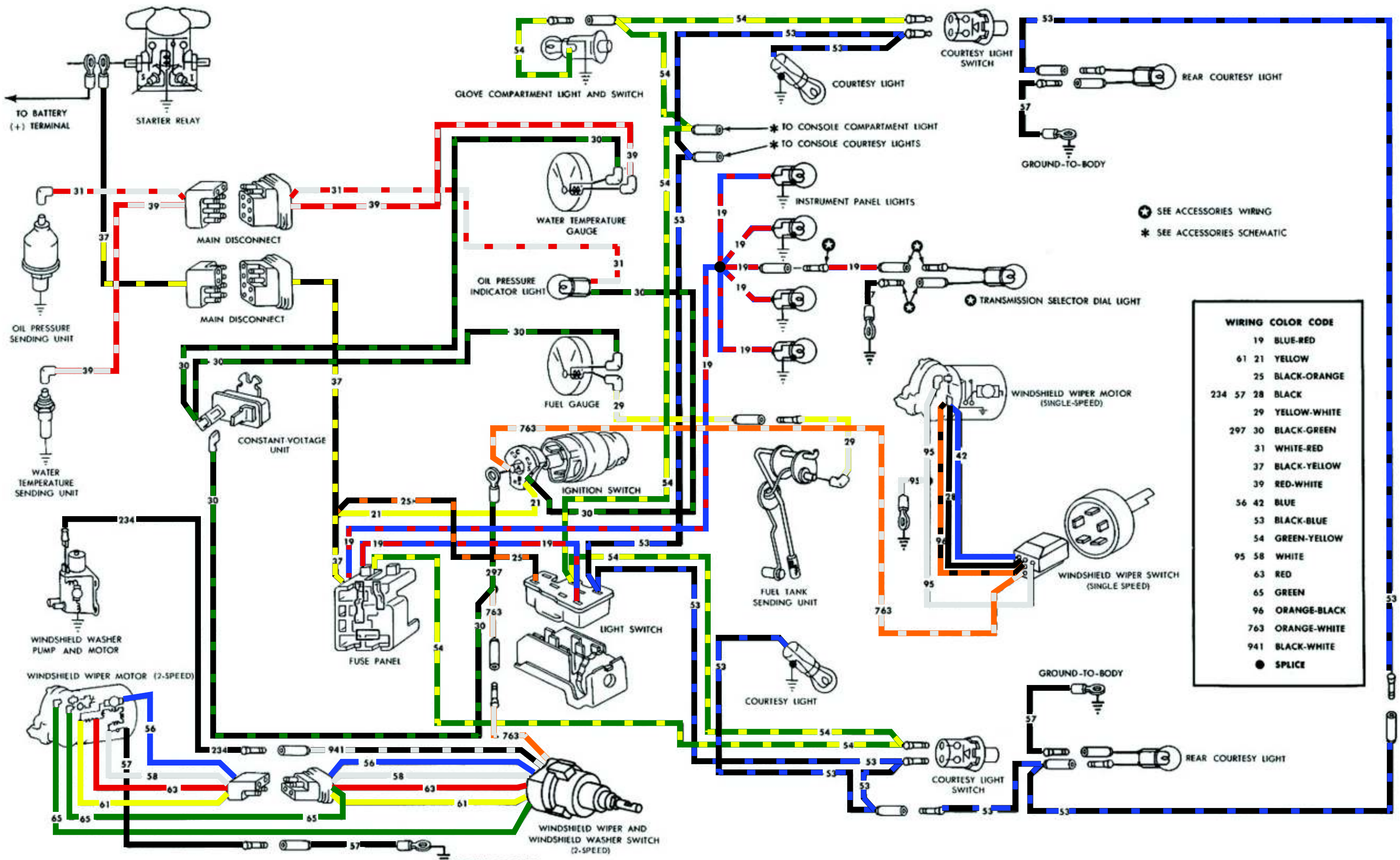
PLEASE REPORT ERRORS OR OMISSIONS TO [gwflaw@gmail.com](mailto:gwflaw@gmail.com)

Colorization by:  
[www.clanmcuffin.com/Mustang.html](http://www.clanmcuffin.com/Mustang.html)  
 rev 02/07/2021



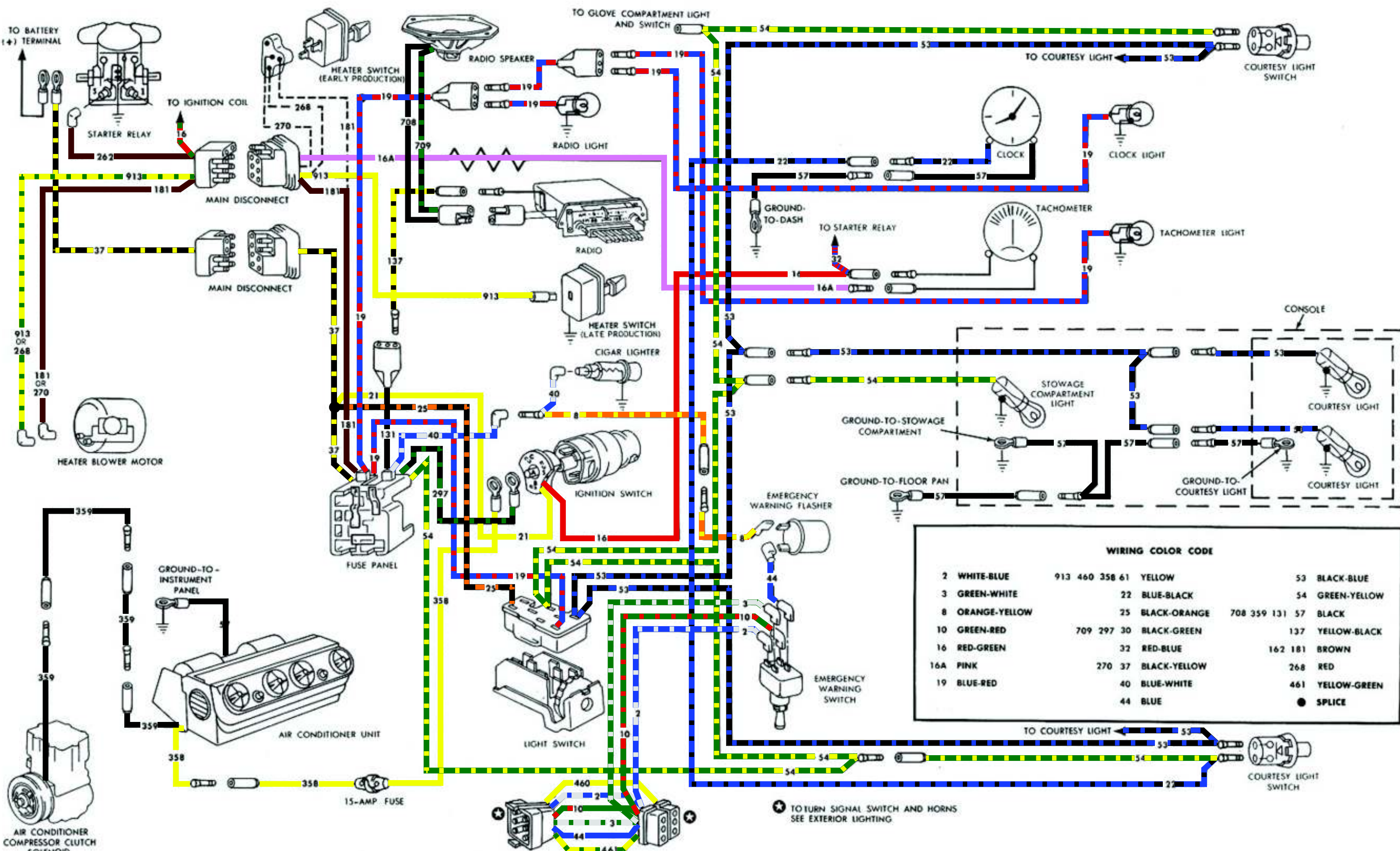
**1965 MUSTANG EXTERIOR LIGHTING, TURN SIGNALS AND HORNS**





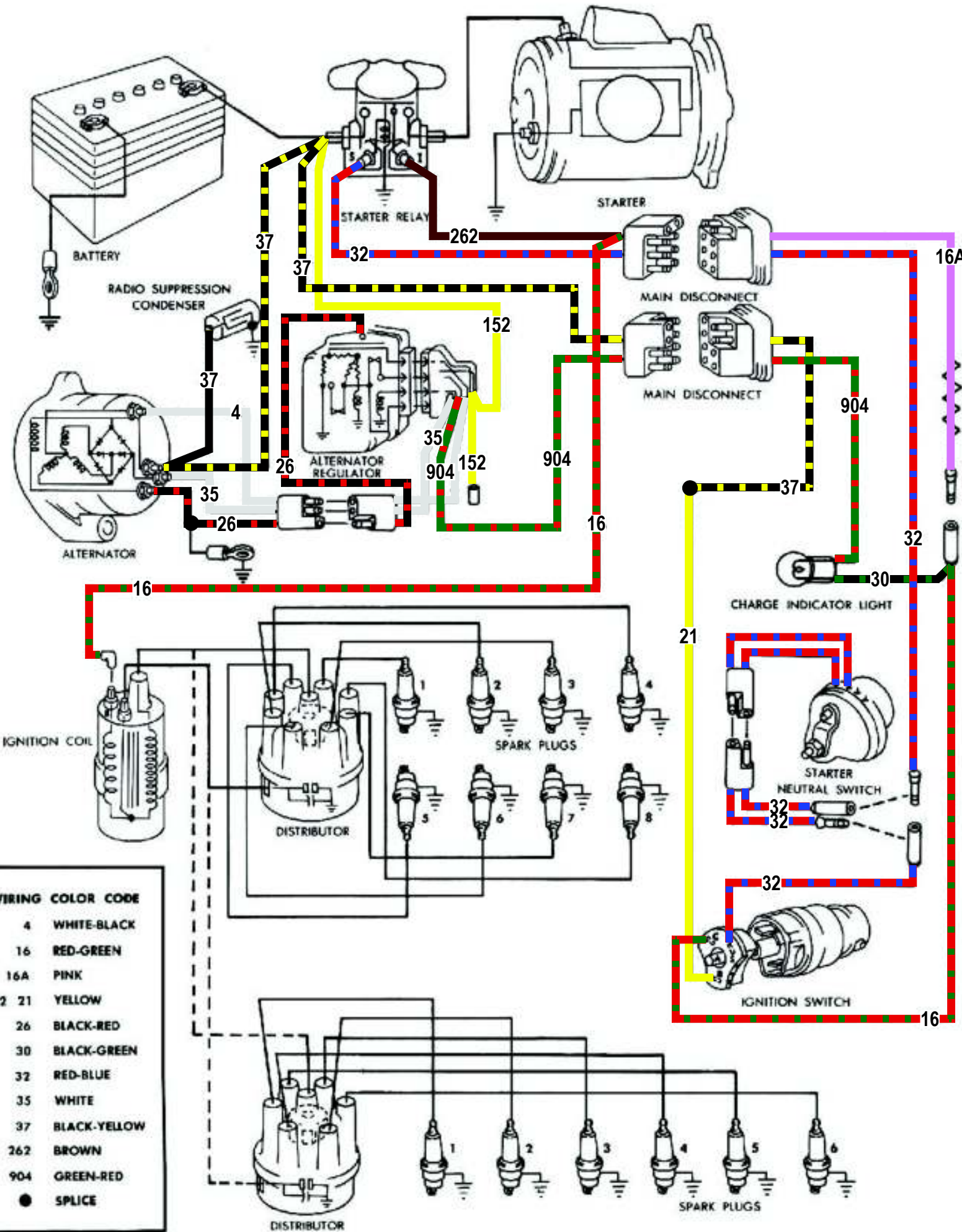
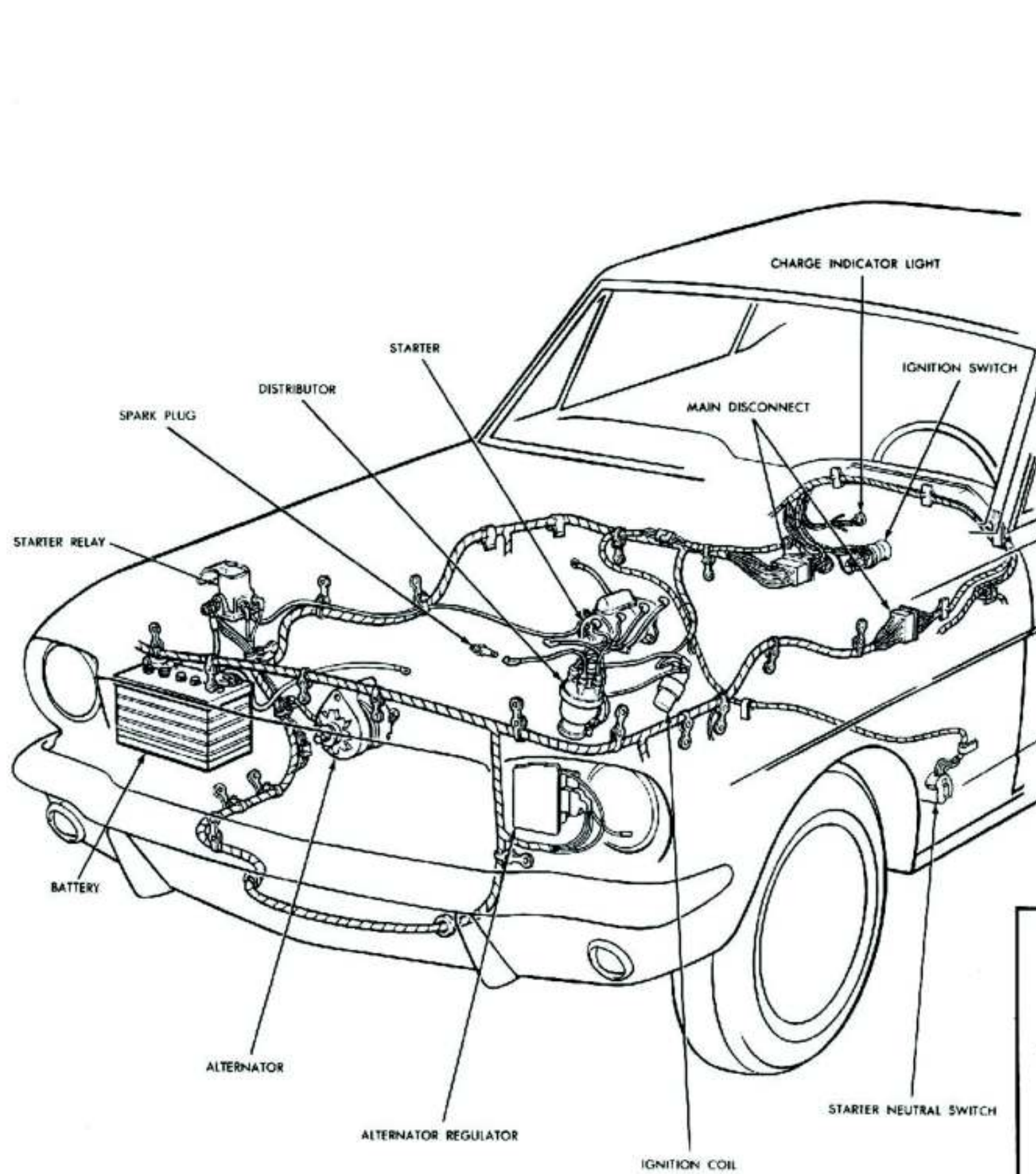
1965 MUSTANG INTERIOR LIGHTING, WINDSHIELD WIPERS AND GAUGES





# 1965 MUSTANG ACCESSORIES





**WIRING COLOR CODE**

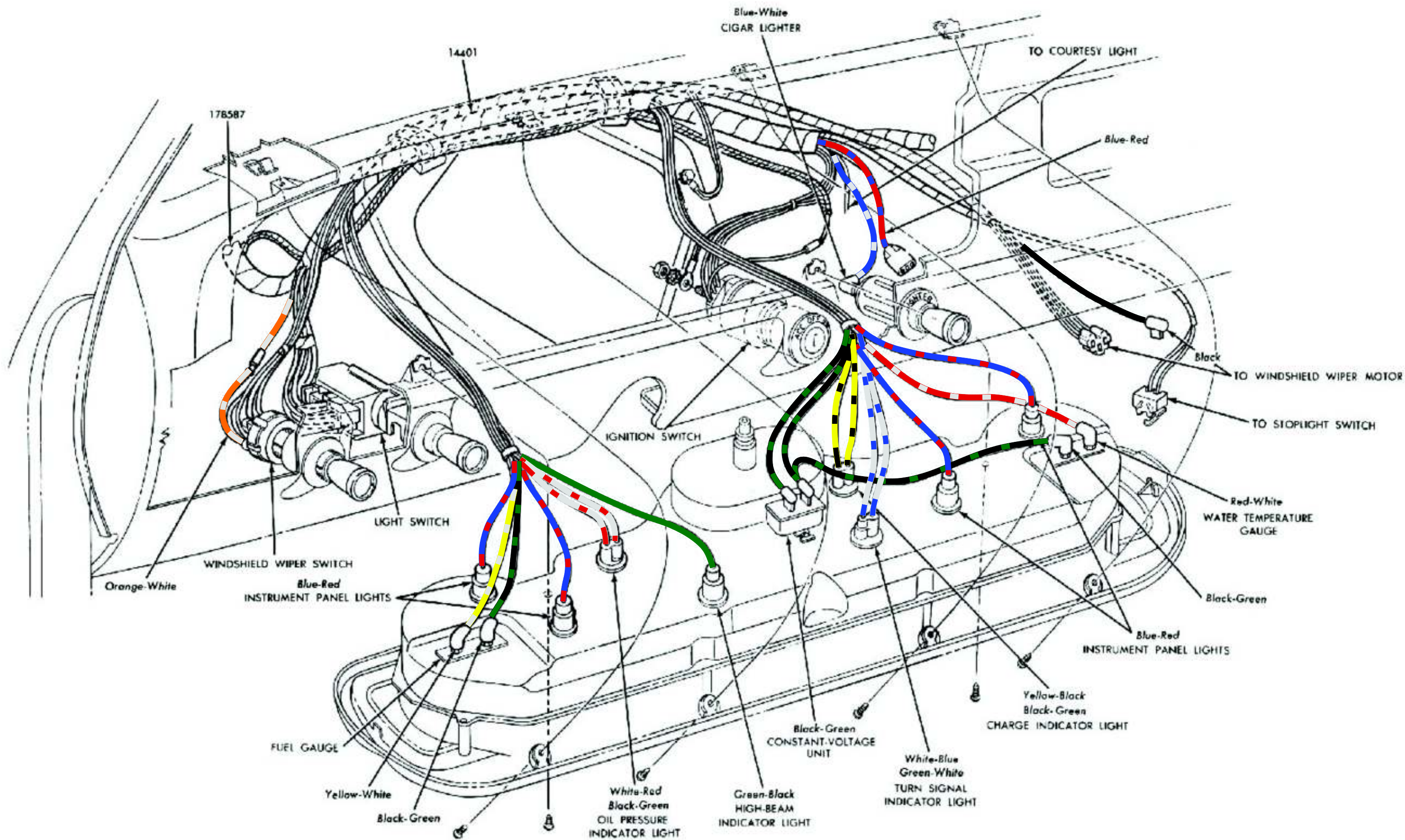
4	WHITE-BLACK
16	RED-GREEN
16A	PINK
152 21	YELLOW
26	BLACK-RED
30	BLACK-GREEN
32	RED-BLUE
35	WHITE
37	BLACK-YELLOW
262	BROWN
904	GREEN-RED
●	SPLICE

**1965 MUSTANG IGNITION, STARTING AND CHARGING**



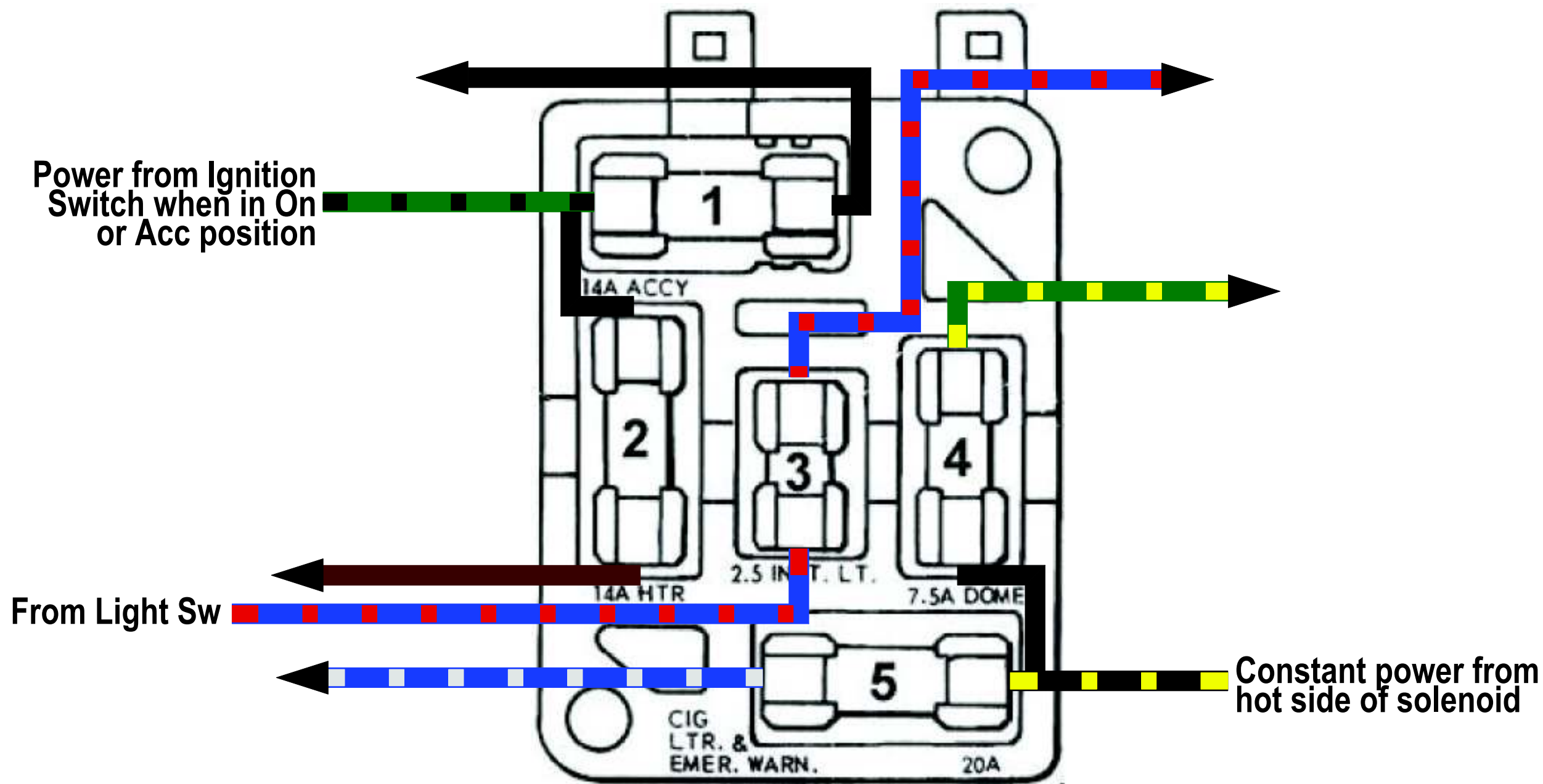






**1965 MUSTANG INSTRUMENT PANEL WITH ALTERNATOR CHARGING SYSTEM**

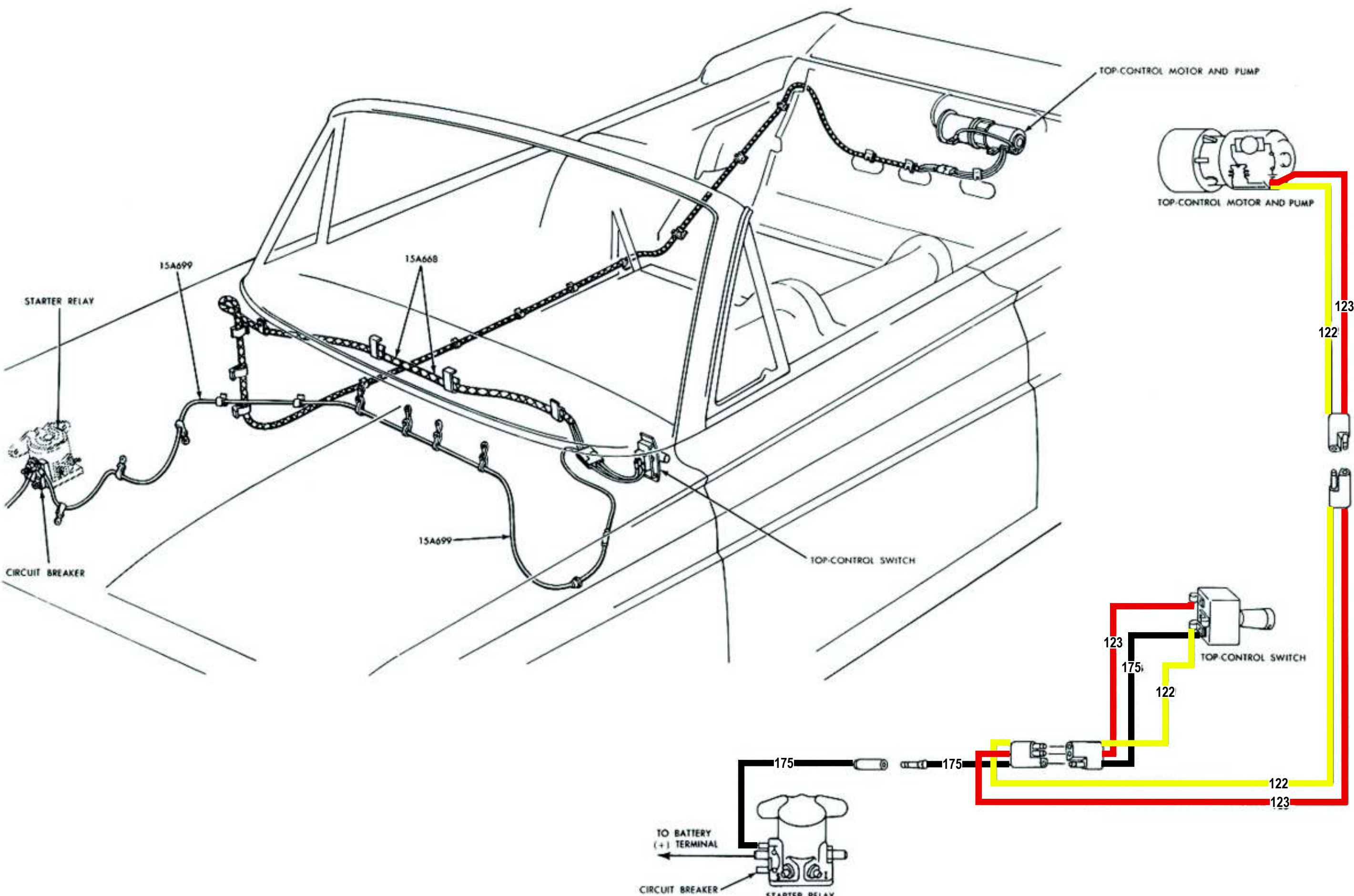




No.	A	Circuit(s) protected
1	14	Back up Lights, Radio, PRNDL Light, Turn Signal
2	14	Heater, Defroster
3	2.5	Inst. Panel, Cluster Lights, Tachometer Light, Radio Light (this circuit is connected into the 15 amp C.B. in the headlight switch)
4	7.5	Dome, Courtesy, Map Light, Glove Box And Luggage Compartment Lights, Clock Light, Seat Belt Warning, Door Ajar Warning
5	20	Cigarette Lighter, Emergency Warning Flasher, Back-up Light

**1965 MUSTANG FUSE PANEL**





WIRING COLOR CODE	
122	YELLOW
123	RED
175	BLACK

**1965 FALCON/COMET CONVERTIBLE TOP**